

Small Screw Cover Fiberglass Enclosures

STANDARD FEATURES

- Two standard sizes available
- Lift off cover design
- Recessed captive stainless steel screws
- Molded in panel mounting inserts
- Poured polyurethane gasket provides water-tight, dust-tight seal
- Light weight and impact resistant

DESIGN OPTIONS

- External mounting feet available
- Mounting panels
- Drilled entries and cut-outs available
- Molded in custom colors
- Silk screening, paint, and decals

MATERIAL

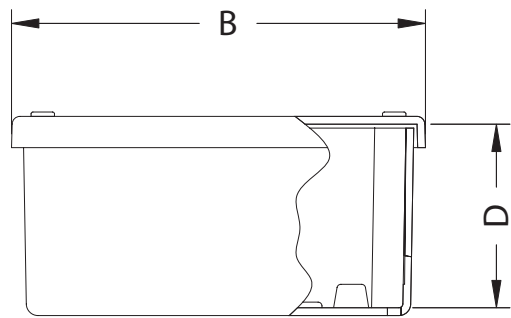
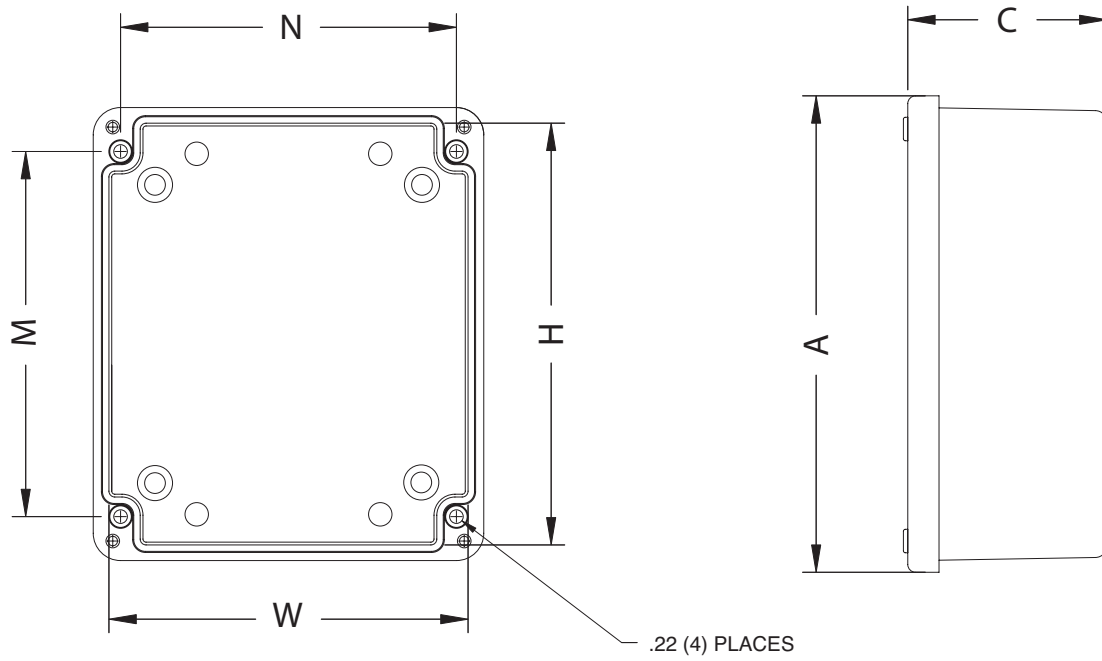
- Hot compression molded fiberglass reinforced polyester (thermoset)
- Non-corrosive and UV resistant
- Smooth surface, no color variations, swirls, or color pockets
- Non-flame propagating and chemical resistant
- Color described as Light Gray

CERTIFICATIONS

- UL 50
- CSA Std 22.2 No. 94
- NEMA Type 1, 3, 4X, 6P, 12
- Temperature Range - 40° C to +120° C (- 40° F to +250° F)
- Flammability Rating UL94-5V



NEMA Type 4X



FIBERGLASS

Catalog #	Overall Dimensions			Inside Dimensions			Mounting Dim.		Weight Lbs.	Panel Cat #	Panel Dim.	
	A	B	C	H	W	D	M	N				
N4X-FG-070603	7.63	6.63	3.19	6.90	5.90	2.88	5.37	4.25	3 lbs.	BP76A	6.00	4.88
N4X-FG-090603	9.87	6.63	3.19	9.15	5.90	2.88	7.62	4.25	3 lbs.	BP96A	8.25	4.88

All measurements are in inches

Fiberglass